

# Shoreditch Edition

Product summary



Optima  
ClearThinking

# Shoreditch Edition

Product summary



## Product facts

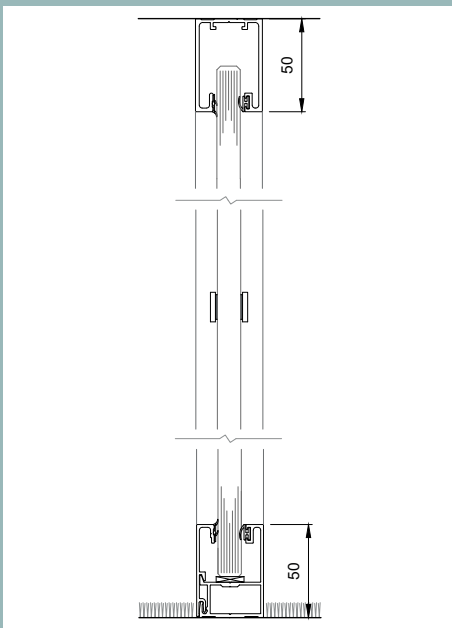
- Shoreditch aluminium glazing bars can be applied to single or double glazed Shoreditch Edition screens
- Single glazed version – Optima 117 Plus Shoreditch Edition
- Double glazed version – Revolution 54 Plus Shoreditch Edition
- Dry jointed and fully demountable
- Door options – Single glazed or double glazed Edge pivoting glass door, or Kinetic Align sliding glass door with Kinetic Shoreditch Edition only
- Manufactured at Optima's UK factory in Bath

## Acoustics

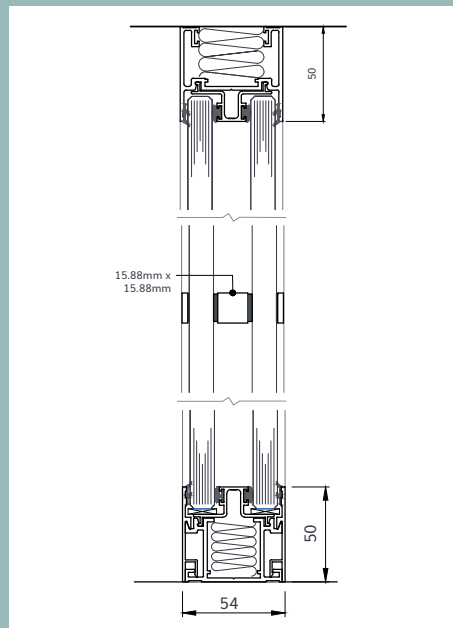
- Rw38dB for Optima 117 Plus – Shoreditch Edition, using 12.8mm acoustic laminated glass
- Rw39dB for Optima 117 Plus – Shoreditch Edition, using 14.8mm acoustic laminated glass
- Rw46dB for Revolution 54 Plus – Shoreditch Edition, using 2 x 12.8mm acoustic laminated glass

## Deflection

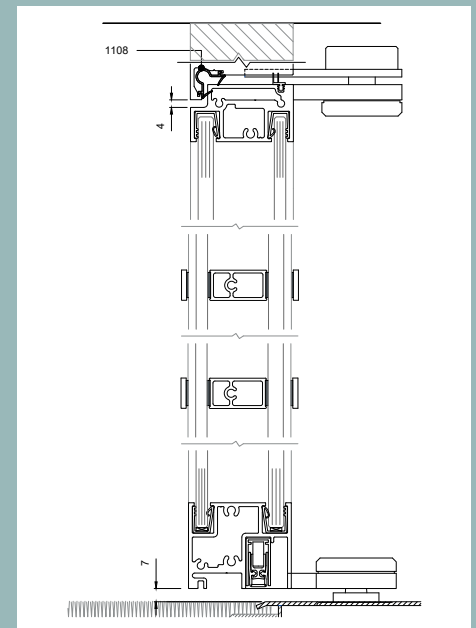
- Can accommodate up to  $\pm 40\text{mm}$  deflection ( $\pm 25\text{mm}$  for Kinetic Align)



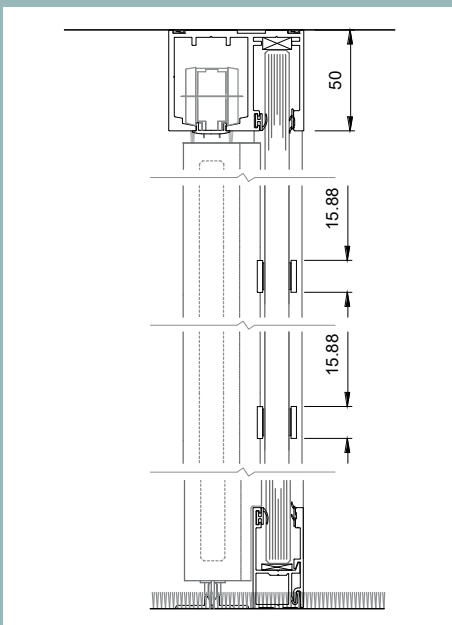
Vertical section through Optima 117 Plus single glazed Shoreditch screen



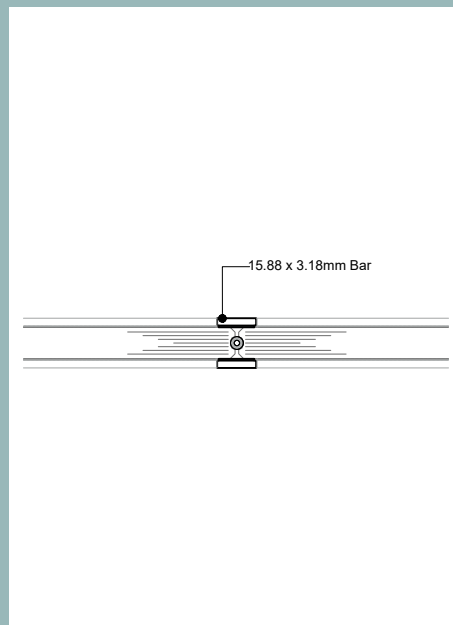
Vertical section through Revolution 54 Plus double glazed Shoreditch screen



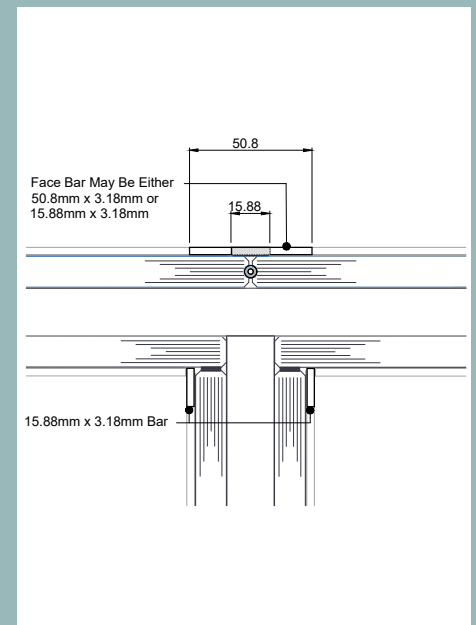
Vertical section showing double glazed Edge Symmetry door



Vertical section showing single glazed Kinetic Shoreditch glazing and Kinetic Align door



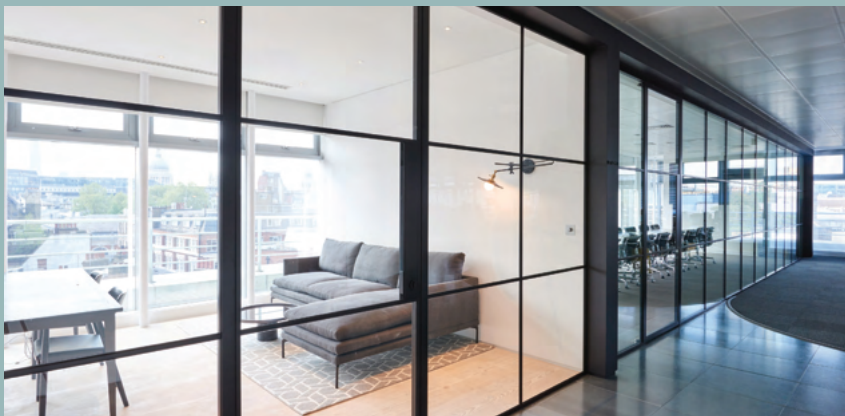
Vertical section through single glazed butt jointed glass



Vertical section through double glazed butt jointed glass

## Product overview

<b>System type</b>	Single glazed: Optima 117 Plus Shoreditch Edition and Kinetic Shoreditch Edition Double glazed: Revolution 54 Plus Shoreditch Edition	
<b>Head detail</b>	Single glazed: Standard aluminium head channels available 25mm or 50mm deep (50mm only for Kinetic Shoreditch Edition) Double glazed: 25mm x 54mm or 50mm x 54mm standard aluminium head channel	
<b>Base detail</b>	Single glazed: Standard aluminium base channels available 25mm or 50mm deep Double glazed: 25mm x 54mm or 50mm x 54mm standard aluminium base channel	
<b>Deflection head options</b>	Single & Double Glazed Deflection heads ranging from +/-25mm up to +/-40mm.	Single & Double Glazed Deflection heads ranging from +/-25mm up to +/-40mm. Note: ±25mm only for Kinetic Shoreditch Edition
<b>Door options</b>	Edge Symmetry or Affinity single or double glazed framed door Kinetic Align sliding glass door (Kinetic Shoreditch Edition only)	
<b>Glass thickness</b>	Single glazed: 10mm, 10.8mm, 12mm, 12.8mm, 14.8mm and 16.8mm thick glass available as standard, subject to panel width, height and acoustic rating Double glazed: Minimum thickness 10mm toughened glass, maximum thickness 12.8mm acoustic laminated glass. Thickness subject to panel width, height and acoustic rating	
<b>Maximum screen height</b>	Single glazed: Maximum ceiling height 3000mm subject to build configuration and access into building using 12.8mm acoustic laminated glass. Greater heights up to 4m can be achieved with 16.8mm laminated glass. Please speak to our Technical Team Double glazed: Maximum ceiling height 3000mm subject to build configuration and access into building	
<b>Acoustic rating</b>	Single glazed: Rw33dB – 12mm toughened glass Rw38dB – 12.8mm acoustic laminated glass Rw39dB – 14.8mm acoustic laminated glass Rw40dB – 16.8mm acoustic laminated glass Double glazed: Rw41dB – 12mm toughened glass + 12.8mm acoustic laminated glass Rw46dB – Two layers of 12.8mm acoustic laminated glass Doors: Rw35dB – single glazed Edge Symmetry Rw41dB – double glazed Edge Symmetry Rw39dB – single glazed Edge Affinity Rw42dB – double glazed Edge Affinity Rw36dB – Kinetic Align	



# Optima

Courtyard House  
West End Road  
High Wycombe  
Buckinghamshire  
HP11 2QB

t +44 (0) 1494 492 725  
[www.optimasystems.com](http://www.optimasystems.com)