

# Revolution 54 Plus

Product summary



Optima  
ClearThinking

# Revolution 54 Plus

Product summary



## Product facts

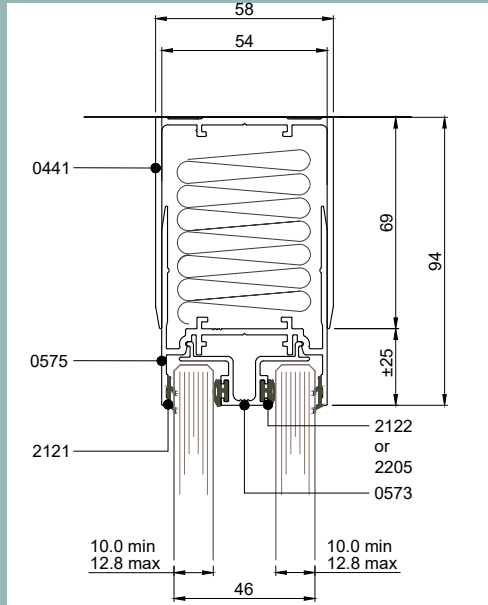
- Slimline mullion-free double glazed system
- Dry jointed and fully demountable
- Aluminium framework
- Fully integrates with Revolution 54 Plus single glazing and Optima 117 plus single glazing
- Numerous door options
- Manufactured at Optima's UK factory in Bath

## Acoustics

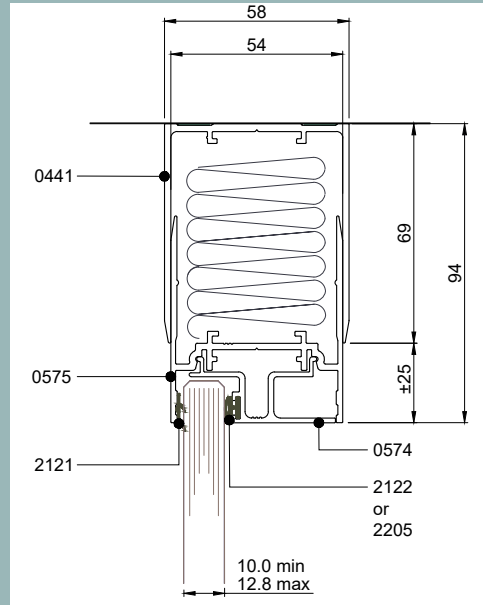
- Maximum tested acoustic rating of Rw46dB using 2 layers of 12.8mm acoustic laminated glass in multi-module screen

## Deflection

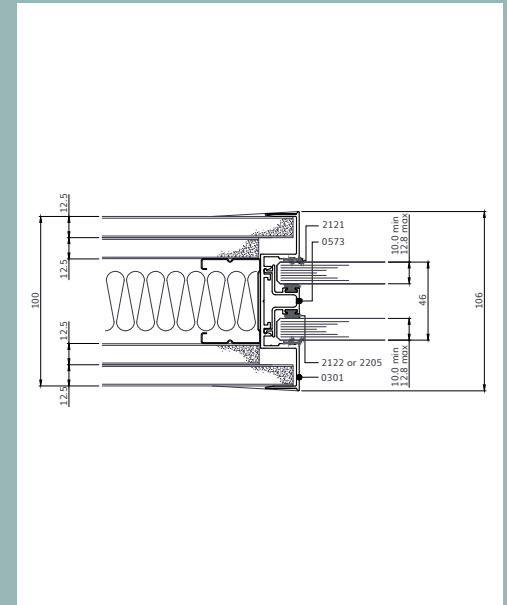
- Can accommodate up to  $\pm 40\text{mm}$  deflection



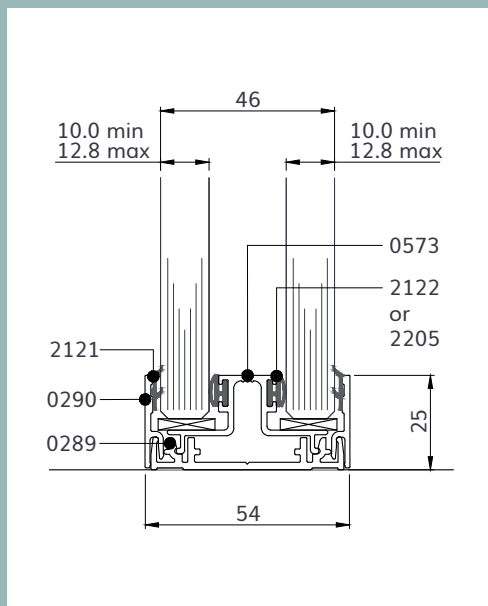
Double glazed head track with external upper channel  $\pm 25$  deflection



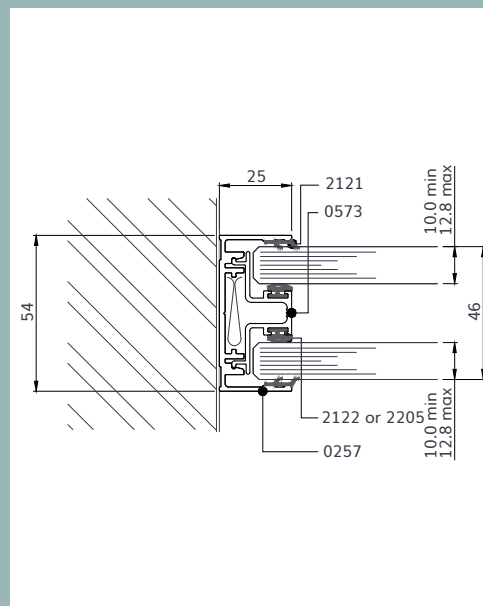
Single glazed head track with external upper channel  $\pm 25$  deflection



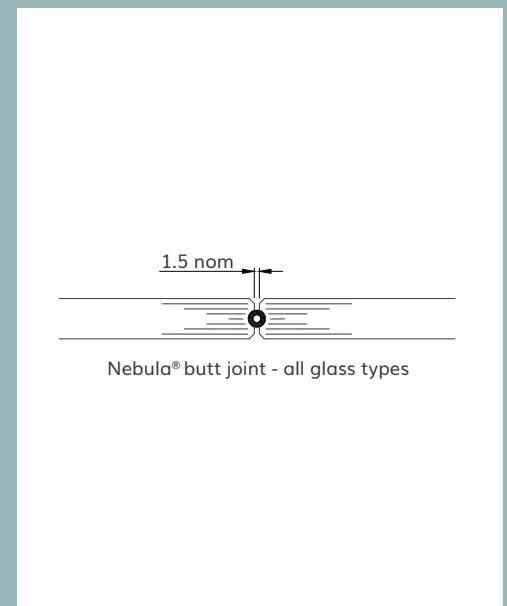
Tapeable glazing bar double glazed, double boarded



Double glazed floor track 25mm flush clip



Double glazed 25mm wall abutment



Glass to glass Nebula® joint dry joint

## Product overview

<b>System type</b>	Single glazed (offset or centrally glazed) or double glazed
<b>Head detail</b>	Standard aluminium head channels 54mm x 25mm or 54mm x 50mm
<b>Base detail</b>	Standard aluminium base channels 54mm x 25mm flush clip or 54mm x 50mm flush clip
<b>Deflection head options</b>	2-part external deflection heads: ±25mm – 94mm deep aluminium channel ±40mm – 140mm deep aluminium channel
<b>Door head detail</b>	Head clip available for deflection and non-deflection glazing channel to accept door leaf
<b>Door options</b>	Compatible with Axile Clarity, Edge Symmetry, Edge Affinity, Edge Flush Bond, 44mm/54mm timber door
<b>Glass thickness</b>	Single and double glazed: Minimum thickness 10mm toughened glass, maximum thickness 12.8mm acoustic laminated glass. Thickness subject to panel width, height and acoustic rating
<b>Maximum screen height</b>	Maximum ceiling height 3000mm subject to build configuration and access into building
<b>Glass to glass joint options</b>	Nebula®, aluminium, ghost and taped dry joints available
<b>Acoustic rating</b>	Single glazed: Rw33dB – 12mm toughened glass Rw38dB – 12.8mm acoustic laminated glass  Double glazed: Rw41dB – 12mm toughened glass + 12.8mm acoustic laminated glass Rw46dB – 12.8mm acoustic laminated glass + 12.8mm acoustic laminated glass in multi-module screen  Further test certificates available upon request



# Optima

Courtyard House  
West End Road  
High Wycombe  
Buckinghamshire  
HP11 2QB

t +44 (0) 1494 492 725  
[OptimaSystems.com](http://OptimaSystems.com)